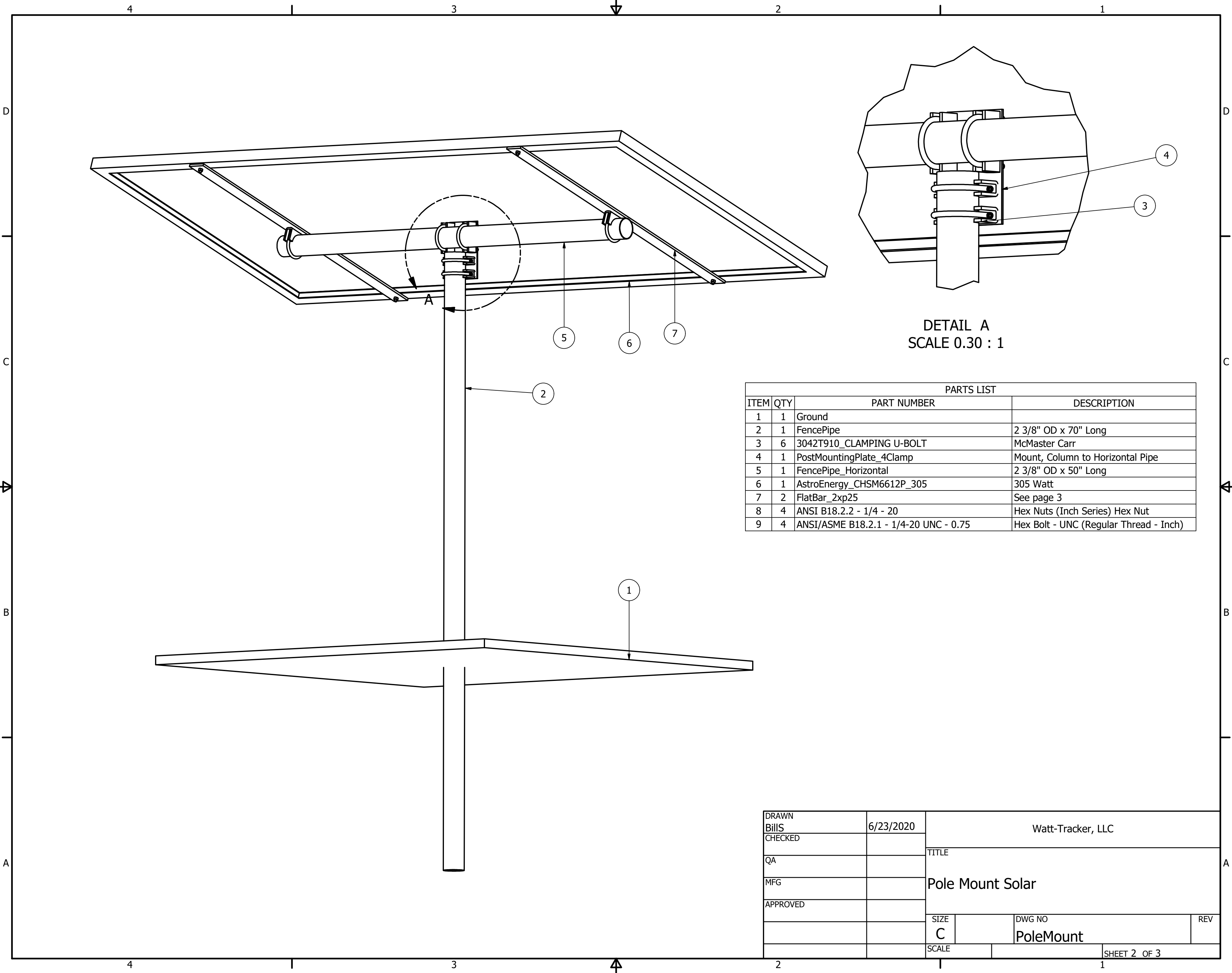


DRAWN	6/23/2020	Watt-Tracker, LLC		
BILLS		TITLE		
CHECKED		Pole Mount Solar		
QA		SIZE	DWG NO	REV
MFG		C	PoleMount	
APPROVED		SCALE	SHEET 1 OF 3	

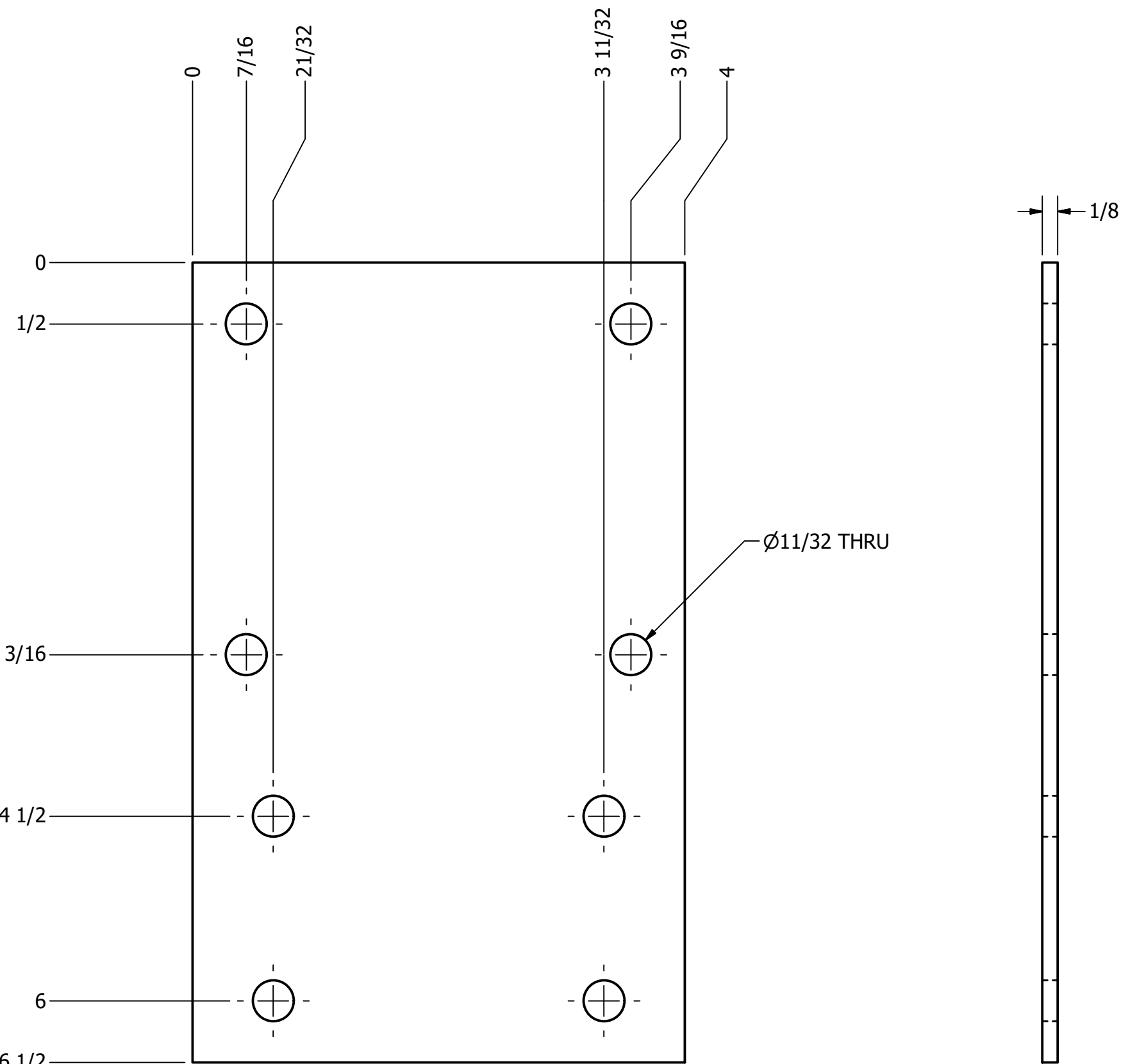
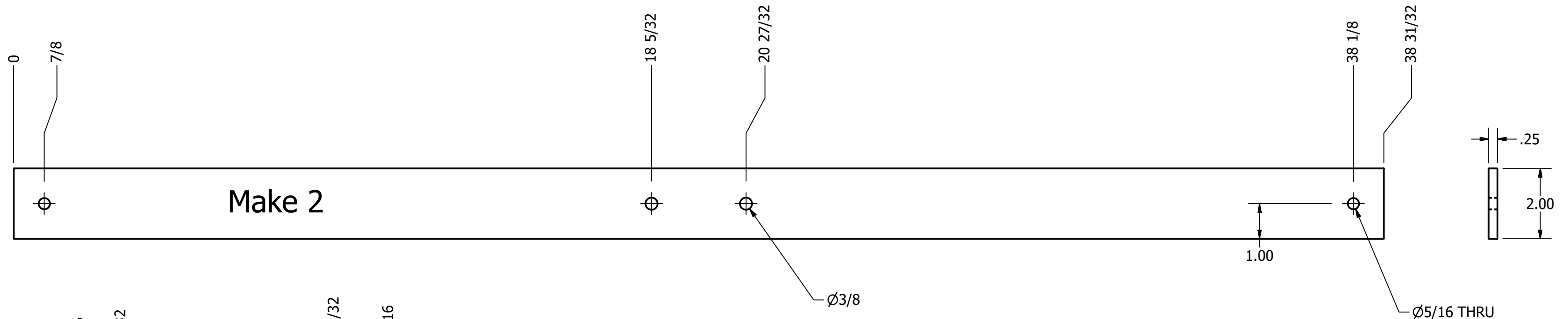


DETAIL A  
SCALE 0.30 : 1

PARTS LIST			
ITEM	QTY	PART NUMBER	DESCRIPTION
1	1	Ground	
2	1	FencePipe	2 3/8" OD x 70" Long
3	6	3042T910_CLAMPING U-BOLT	McMaster Carr
4	1	PostMountingPlate_4Clamp	Mount, Column to Horizontal Pipe
5	1	FencePipe_Horizontal	2 3/8" OD x 50" Long
6	1	AstroEnergy_CHSM6612P_305	305 Watt
7	2	FlatBar_2xp25	See page 3
8	4	ANSI B18.2.2 - 1/4 - 20	Hex Nuts (Inch Series) Hex Nut
9	4	ANSI/ASME B18.2.1 - 1/4-20 UNC - 0.75	Hex Bolt - UNC (Regular Thread - Inch)

DRAWN	6/23/2020	Watt-Tracker, LLC		
BILLS		TITLE		
CHECKED		Pole Mount Solar		
QA		SIZE	DWG NO	REV
MFG		C	PoleMount	
APPROVED		SCALE	SHEET 2 OF 3	

The outer hole spacing depends upon the mounting holes on the panel.  
 One should use these.  
 Also, the horizontal pipe length, depends on the same hole spacing.



DRAWN	6/23/2020	Watt-Tracker, LLC		
BILLS		TITLE		
CHECKED		Pole Mount Solar		
QA		SIZE	DWG NO	REV
MFG		C	PoleMount	
APPROVED		SCALE	SHEET 3 OF 3	